

Navian Marketing Report

RF Devices/Modules For Cellular Terminal

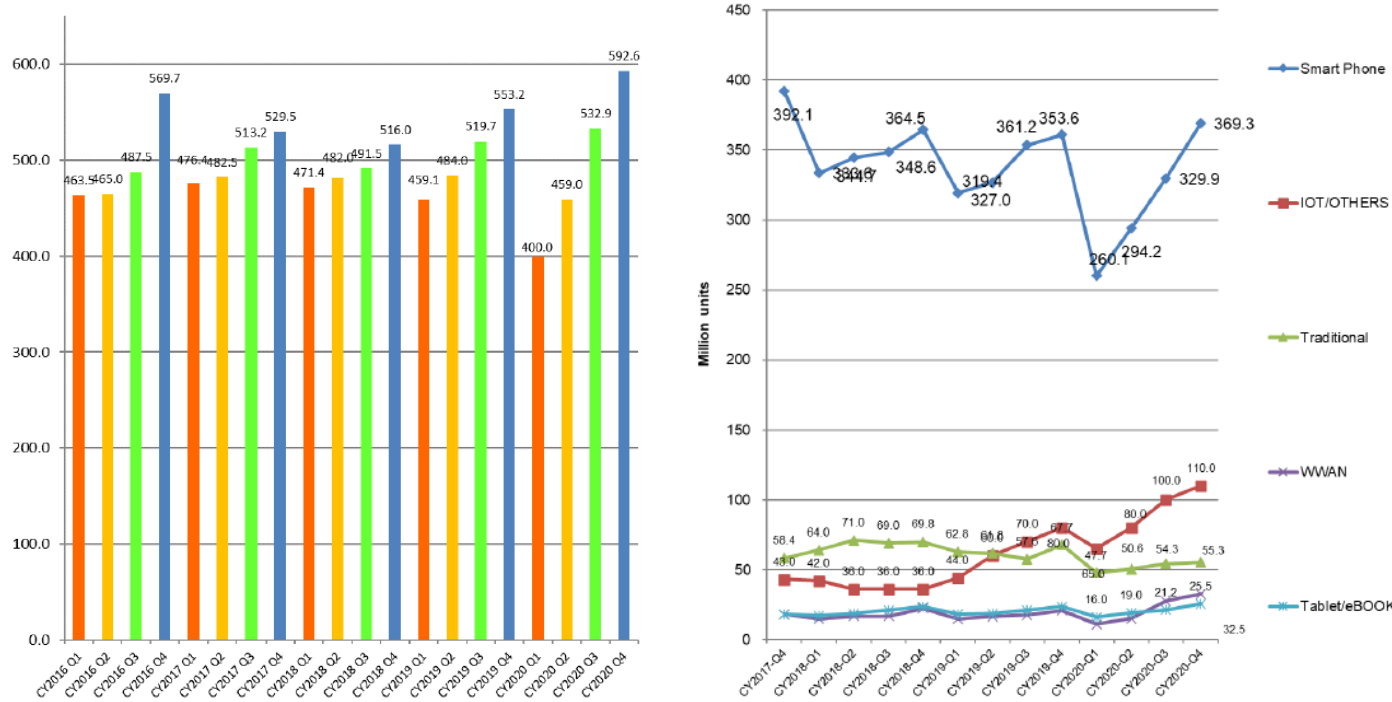
Quarterly Market Report Q4 2020

July 20th, 2021

RF Components & Modules in this report

- ① Front end Module (ASM • TX Module • PAiD • FEMiD • All-in-One FEM • PAMiD • 5G TX Module/PAMiF-NEW • Multiplexer • A-Multiplexer • 5G RX Module-NEW)
- ② Antenna Switch (Main RF/Diversity) Power Amplifier Module
- ④ Duplexer
- ⑤ Band Pass Filter
- ⑥ TCXO

Cellular Terminal Shipment History

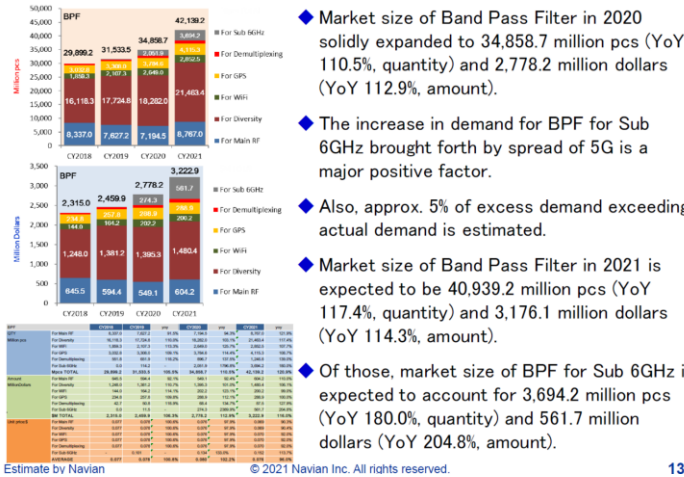


Non-Voice

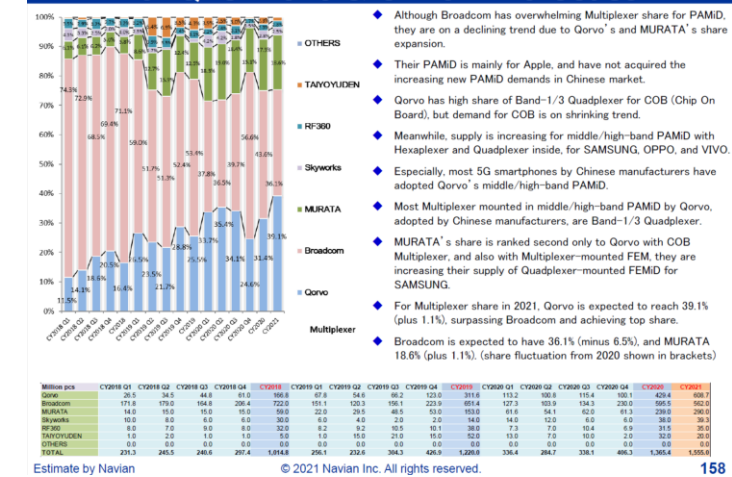
Voice

Report Sample

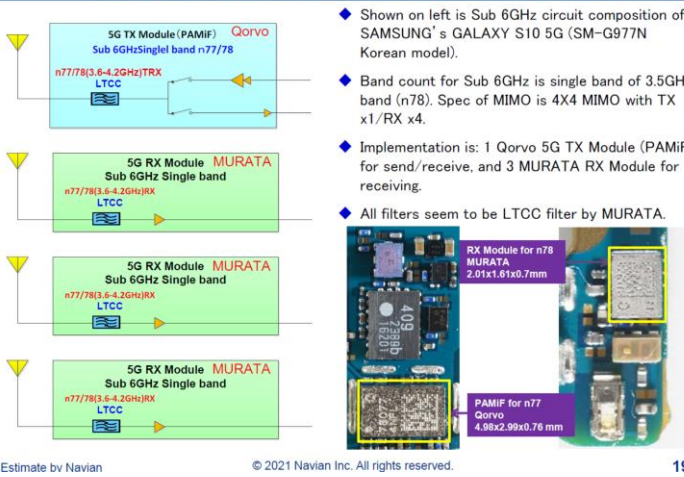
Market Forecast of Band Pass Filter by Application CY2021



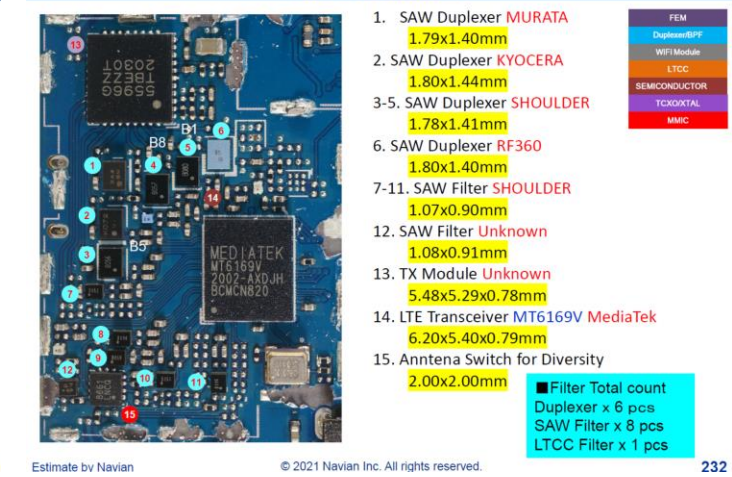
Multiplexer Market Share for Q4CY2020 & CY2021 Forecast



Sub 6GHz RFFE of SAMSUNG GALAXY S10 5G SM-G977N



2. DOOGEE X95 Global Version RF Section-1



Outline of the report

RF Devices/Modules For Cellular Terminal Quarterly Market Report Q4 2020 -CD-ROM (PDF file)-

○The date of issue July 20th, 2021

○The Documents of the report The PDF file of 316 SLIDES : MS PowerPoint based/Excel data/JPEG files of Teardown photos

○Report price JP¥168,000

○Annual subscription for four quarterly issues JP¥560,000(JP¥140,000/report)

* Additional notes for companies with more than 10,000 employees on a consolidated basis.

If you will share our reports between different departments or subsidiaries and affiliated companies, you need to purchase the corporate license. Please confer with us.

Method of order

○BY Attached FAX ORDER FORM Fax.+81-3-5303-1304

○BY Email order@navian.co.jp with your information as same as FAX ORDER FORM

PAYMENT

Please Bank Transfer in Japanese Yen to the bank account of the Navian, Inc.

The report's bill will be sent with the report.

Payment term is within 1 month after you receive the report.

PUBLISHER

Navian Inc. <http://www.navian.co.jp>

**PHASE 1. CELLULAR TERMINAL SHIPMENT
AND UPDATE**

1. Cellular Terminal Quarterly Shipment History
2. Cellular Terminal Quarterly Shipment by Product Type
3. Cellular Terminal Quarterly Shipment by Standard
4. Cellular Terminal Annual Shipment
5. Annual Shipment History CY2001-CY2021
6. Annual Cellular Terminal Shipment Trend by Product Type
7. Annual Cellular Terminal Shipment Trend by Cellular Standard

**PHASE 2. SHIPMENT AND STATUS OF
CELLULAR TERMINAL KEY MANUFACTURER**

1. Cellular Terminal Shipment by Maker & Product Type
Q1 CY2016-Q4 CY2020
2. Cellular Terminal Shipment by Maker & Cellular Standard
Q1 CY2016-Q4 CY2020
3. Annual Cellular Terminal Market Share Trend
 - (1) Cellular Terminal Shipment by Manufacturer & Product Type
CY2016-CY2021
 - (2) Cellular Terminal Shipment by Manufacturer & Cellular Standard
CY2016-CY2021
4. RF Platform Market Share by Cellular Terminal Manufacturer
 - (1) UMTS RF Platform Market Share by Cellular Terminal Manufacturer
Quarterly data: Q1 CY2016-Q4 CY2020
Annual data: CY2016-CY2021
 - (2) UMTS RF Platform Market Share by Cellular Terminal Manufacturer
Quarterly data: Q1 CY2016-Q4 CY2020
Annual data: CY2016-CY2021

**PHASE 3. RF Devices / Modules
For Cellular Market Trend**

1. Front End Modules
 - (1) Quarterly Front End Module Market Trend
 - (2) Annual Front End Module Market Trend by Product
 - (3) Detailed Data of Front End Module Marke
 - (4) Q4 CY2020 : Front End Module Market Size & Trend by Product
 - ①Antenna Switch Module
 - ②TX Module
 - ③FEMiD
 - ④All-in-One FEM

- ⑤PAMiD
- ⑦PAiD
- ⑧Multiplexer (Quadplexer/Hexaplexer)
- ⑨Antenna –Multiplexer
2. Antenna Switches
 - (1) Antenna Switch Market Size in Q4 CY2020
 - Antenna Switch TOTAL Market Size
 - Antenna Switch for Main RF Market Size by Throw Count
 - Antenna Switch for Main RF Market Size by Substrate
 - Antenna Switch for Diversity Market Size by Substrate
 - (2) Quarterly Detailed Data of Antenna Switches
 - (3) Annual Market Size of Antenna Switch in CY2021
 - Market Size of Antenna Switch
 - Market Size of Antenna Switch for Main RF by Throw Count
 - Market Size of Antenna Switch for Main RF by Substrate
 - Market Size of Antenna Switch for Diversity by Substrate
 - (4) Annual Detailed Data of Antenna Switch Market
3. Power Amplifier Module
 - (1) Power Amplifier Module Market Size in Q4 CY2020
 - (2) Annual Market Size of Power Amplifier Module by Product Type in CY2021
 - (3) Annual Detailed Data of Power Amplifier Module Market
4. Duplexers
 - (1) Duplexer Market Size in Q4 CY2020
 - (2) Annual Market Size of Duplexer by Band in CY2021
 - (3) Annual Detailed Data of Duplexer Market
5. Band Pass Filters
 - (1) Band Pass Filter Market Size in Q4 CY2020
 - (2) Annual Market Size of Band Pass Filter in CY2021
6. TCXOs
 - (1) TCXO Market Size in Q4 CY2020
 - (2) Annual Market Size of TCXO in CY2021

**PHASE 4. RF COMPONENT/MODULE
KEY MANUFACTURER TREND**

1. Front End Modules
 - (1) Antenna Switch Module
 - ASM Market Share for Q4 CY2020 & CY2021 Forecast
 - ASM Market Share Breakdown per Product Type
 - (2) RX Module
 - RX Module Market Share for Q4 CY2020 & CY2021 Forecast

- RX Module Market Share Breakdown per Product Type
 - (3) TX Module
 - TX Module Market Share for Q4 CY2020 & CY2021 Forecast
 - TX Module Market Share Breakdown per Product Type
 - (4) FEMiD
 - FEMiD Market Share for Q4 CY2020 & CY2021 Forecast
 - FEMiD Market Share Breakdown per Product Type
 - (5) PAiD
 - PAiD Market Share for Q4 CY2020 & CY2021 Forecast
 - PAiD Market Share Breakdown per Product Type
 - (6) Duplexer Bank
 - Duplexer Bank Market Share for Q4 CY2020 & CY2021 Forecast
 - Duplexer Bank Market Share Breakdown per Product Type
 - (7) Multiplexer
 - Multiplexer Market Share for Q4 CY2020 & CY2021 Forecast
 - Multiplexer Market Share Breakdown per Product Type
2. Antenna Switches
 - (1) Antenna Switch Market Share for Q4 CY2020 & CY2021 Forecast
 - (2) Quarterly Antenna Switch for Main RF Market Share Breakdown
 - (3) Annual Antenna Switch for Main RF Market Share Breakdown
 - (4) Quarterly Antenna Switch for Diversity Market Share Breakdown
 - (5) Annual Antenna Switch for Diversity Market Share Breakdown
 - (6) Antenna Switch Supply chain
3. Power Amplifier Module
 - (1) PAM Market Share for Q4 CY2020 & CY2021 Forecast
 - (2) 3G/4G PAM Market Share for Q4 CY2020 & CY2021 Forecast
 - (3) UMTS PAM Supply chain
 - (4) MM PAM Type & Supply Chain
 - (5) MM PAM Market Share for Q4 CY2020 & CY2021 Forecast
 - (6) MM PA Shipment Breakdown per Manufacturer
 - (7) Quarterly PAM Market Share Breakdown per Product Type
 - (8) Annual Power Amplifier Module Market Share Breakdown
4. Duplexers
 - (1) Duplexer Market Share for Q4 CY2020 & CY2021 Forecast
 - (2) Duplexer Supply chain
 - (3) Quarterly Duplexer Market Share Breakdown per Product Type
 - (4) Annual Duplexer Market Share Breakdown per Product Type
5. Band Pass Filters
 - (1) BPF Market Share for Q4 CY2020 & CY2021 Forecast
 - (2) BPF Market Share history by Product Type: SAW & BAW

6. TCXOs
 - (1) TCXO Market Share for Q4 CY2020 & CY2021 Forecast
 - (2) TCXO Market Share Breakdown per Product Type
 - (3) TCXO Supply chain

PHASE 5. 5G Situation & Forecast

1. 5G Shipment CY2019-CY2020
2. 5G Shipment CY2019-CY2020 by Brand
3. ANTENNA FEM for Millimeter Wave
3. 5G RFFE Case Studies -Sub 6GHz-
 - (1) Sub 6GHz RFFE of SAMSUNG GALAXY S10 5G SM-G977N
 - (2) Sub 6GHz RFFE of Huawei MATE20X5 EVR-AN00
 - (3) Sub 6GHz RFFE of Xiaomi Mi Mix 3 5G M1810E5GG
 - (4) Sub 6GHz RFFE of OPPO Reno3 5G
4. 5G RFFE Market Forecast in CY2021
5. Market Forecast of 5G TX Module/PAMiF in CY2021
6. 5G TX Module/PAMiF Market Share for Q4 CY2020 & CY2021 Forecast
7. Market Forecast of AiP (Antenna in Package) CY2021
8. AiP (Antenna in Package) for Q4 CY2020 & CY2021 Forecast
9. Market Forecast of 5G RX Module in 2020
10. 5G RX Module for Q4 CY2020 & CY2021 Forecast
11. Market Forecast of 5G Band Pass Filter (BPF) in CY2021
12. 5G Band Pass Filter (BPF) for Q4 CY2020 & CY2021 Forecast
13. 5G RFFE Market Forecast in CY2021
14. 5G RFFE Vendor Trend in CY2021

PHASE 6. Hot Products Teardown

1. Teardown Summary
 - (1) General RF Circuit Diagram of Low-end 4G Smartphones
 - (2) Outline of 7 Low-end Smartphones
 - (3) RF Components/Modules in
7 Low-end Smartphones
2. FEMs and Filters in RF Section of Low-end Smartphones
 - (1) Blackview A80 Plus Global Version
 - (2) DOOGEE X95 Global Version
 - (3) UMIDIGI A7 Pro Global Bands
 - (4) OUKITEL K7 Pro Global Version
 - (5) DOOGEE N20 Pro Global Version
 - (6) UMIDIGI A9 Pro Global Bands
 - (7) POCO M3 Global Version

ORDER FORM
ATTN: NAVIAN INC.
Fax : +81-3-5303-1304

**RF Devices/Modules For Cellular Terminal
Quarterly Market Report English Version**

Report Title	Price	Initial
RF Devices/Modules For Cellular Terminal Quarterly Market Report Q4 2020 PDF File	JPY168,000	
<input checked="" type="checkbox"/> Annual Report (four quarterly issues)	From YY (), QTR. () for one year. *Example: YY (21), QTR. (1).	JPY560,000

* Additional notes for companies with more than 10,000 employees on a consolidated basis.

If you will share our reports between different departments or subsidiaries and affiliated companies, you need to purchase the corporate license. Please confer with us.

Annual subscribers (four quarterly issues) – please check ONE invoicing option below.

- Full invoicing (invoiced upon first report delivery).
 Split invoicing (quarter invoicing upon quarterly report delivery).

YOUR P.O. NUMBER	<i>For our invoice referencing purpose.</i>
------------------	---

Date of order	(YYYY)	/ (MM)	/ (DD)
First name		Last name	
Company			
Job title		Department	
Address			
State/Province		Zip code	Country
Contact Phone		FAX	
E-mail	@		

Authorizing Signature

Signature Date

CONTACT

ATTN: Yoshiyasu Andoh
E-mail: andoh@navian.co.jp

Navian Inc.
2-18-2, Zenpukuji, Suginami-ku, Tokyo 167-0041, Japan
Phone: +81-3-5303-1303
Fax: +81-3-5303-1304