

Navian Marketing Report

~Transforming RFFE Circuit by spread of 5G NR~ RF Devices/Modules for Cellular 2018-2019

Released on October 30 2019

Front End Modules & RF Components in this report

- ① Front end Module (ASM·RX Module·TX Module·PAiD·PAMiD·FEMiD·Multiplexer·Antenna Multiplexer·5G TX Module/PAMiF)
- ② Antenna Switch (For Main RF·For RX Diversity)
- ③ Power Amplifier Module
- ④ Duplexer (SAW/BAW/IHP)
- ⑤ Band Pass Filter (SAW/BAW/IHP/LTCC for Sub 6GHz/IPD for Sub 6GHz)
- ⑥ TCXO



Expecting a completely new kind of gadget with completely groundbreaking display and input-output style different from existing mobile gadgets, and it will be the engine of 5G era.



Market of cellular-supporting IOT will expand significantly, centered on NB-IOT. We should be able to expect GPS demands along with this.



LTE adoption would be the next step for Cellular V2X. Because of competition with WiFi-based 802.11p, demand size would be limited.



Cellular adoption in Tablet and Notebook PC will become full scale as 5G becomes widely used. It should become the adrenaline shot which will stimulate the Tablet and Notebook PC market.

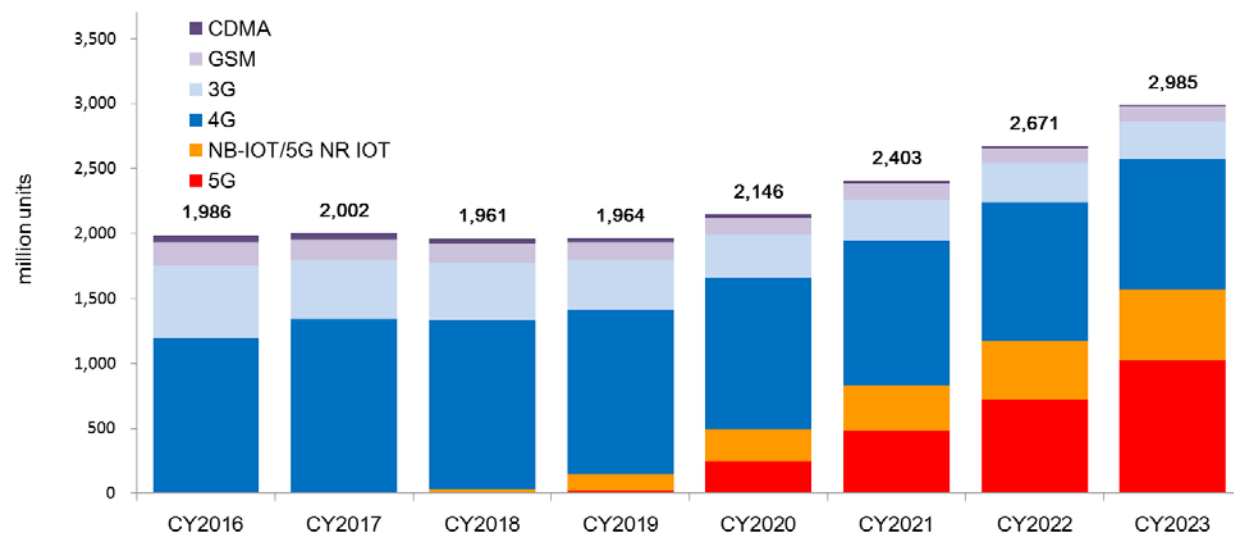


Product which would most likely adopt 5G. However, as for milli-waves, it is strongly thought that adoption would be limited due to issues with space, cost, and power consumption.



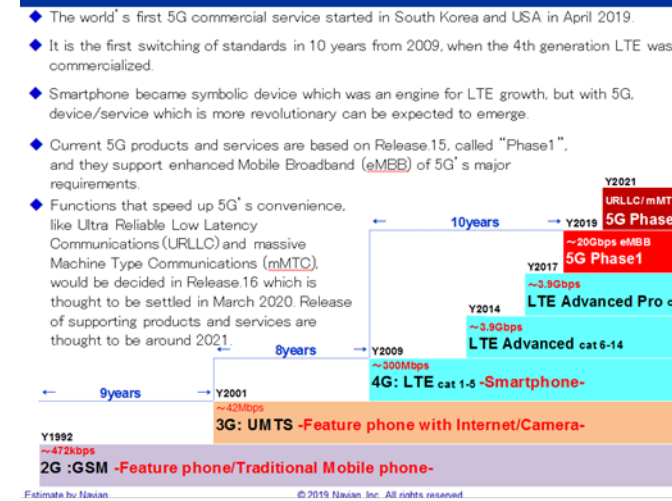
Would be the last to adopt 5G. Also, it will only adopt either Sub 3GHz or Sub 6GHz, and not milli-waves.

Cellular Terminal Shipment Forecast by Standard

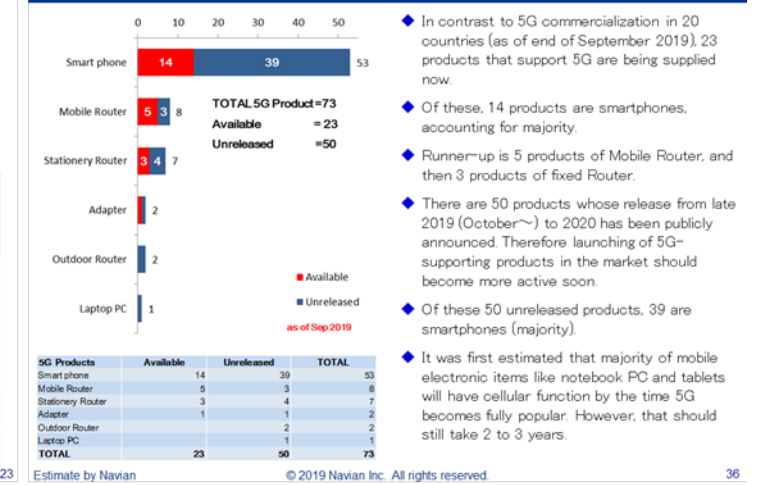


Report Sample

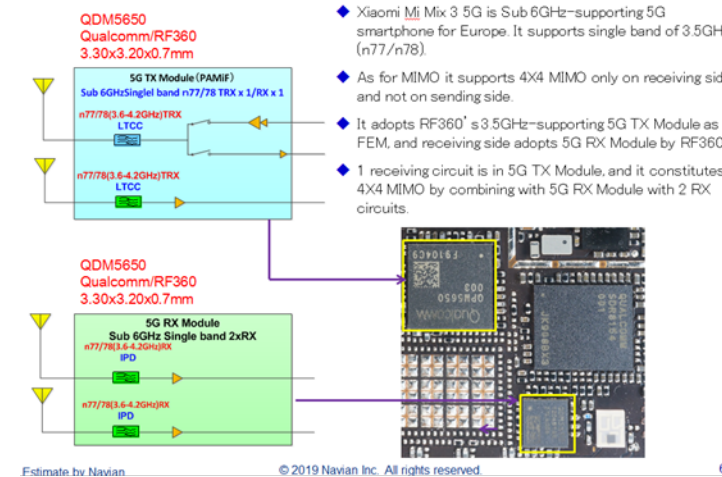
Road map of Cellular Standard



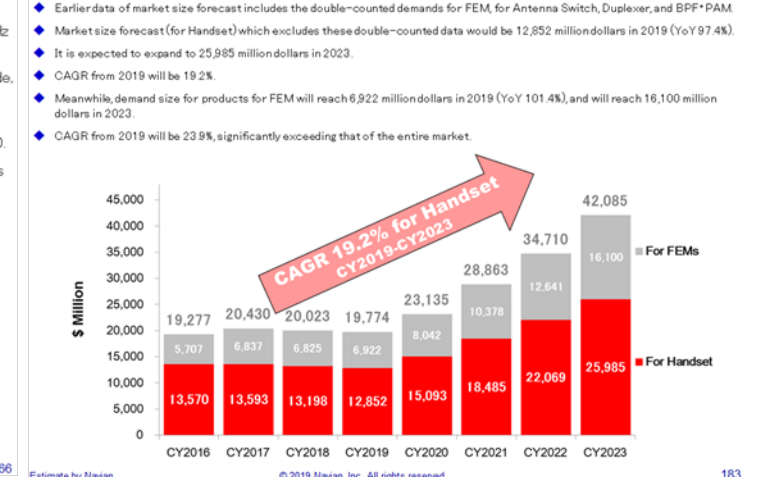
5G Products Status by Product Type



Sub 6GHz RFFE of Huawei Xiaomi Mi Mix 3 5G M1810E5GG



RF Devices / Modules Total Market Forecast - For FEMs / For COB -



RF Devices/Modules For Cellular 2018 2019 English version

-CD-ROM (PDF file & Excel file)-

- Release Schedule: October 30 2019
- Report format: 301 SLIDES (PDF file)
- Price: PDF file of report/Excel data
 - ① 220,000JPN for Year's subscribers of Navian quarterly report'
 - ② 270,000JPN Customers who have purchased Navian quarterly report within 1year
 - ③ 320,000JPN Customers who have not purchased Navian quarterly report within 1year
- * Additional notes for companies with more than 10,000 employees on a consolidated basis.
- If you will share our reports between different departments or subsidiaries and affiliated companies, you need to purchase the corporate license. Please contact us.
- Method of order
 - BY Attached FAX: ORDER FORM Fax.+81-3-5303-1304
 - BY Email: order@navian.co.jp with your information as same as FAX ORDER FORM
- PAYMENT: Please Bank Transfer in Japanese Yen to the bank account of the Navian, Inc. The report's bill will be sent with the report. Payment term is within 1 month after you receive the report.
- PUBLISHER: Navian Inc. <http://www.navian.co.jp>
mailto:info@navian.co.jp
2-18-2,Zenpukuji, Suginami-ku, Tokyo 167-0041 JAPAN
Tel.+81-3-5303-1303/Fax. +81-3-5303-1304

Phase1. Cellular Terminal Shipment Forecast**I. Cellular Terminal Shipment AND Update**

1. Cellular Terminal Variation & Definition
2. Cellular Terminal Annual Shipment History CY2001-CY2019
3. Annual Cellular Terminal Shipment Trend by Product Type
4. Annual Cellular Terminal Shipment Trend by Cellular Standard
5. Annual Cellular Terminal Market Share Trend
6. Key Terminal Manufacturer Annual Shipment History CY2015-CY2019
7. Cellular Terminal Shipment By Maker & Cellular Standard History CY2015-CY2019

II. 5G Situation & Topics

1. Cellular Terminals Classification For 5G
2. 5G Road Map
3. 5G Product Shipment Estimation CY2018-CY2020
4. Road map of Cellular Standard
5. Cellular Standard Outline & Trend 1/2
6. Cellular Standard Outline & Trend 2/2
7. 5G Specifications Comparison to LTE
8. Detailed 5G Specifications
9. 5G standardization History & Schedule
10. Cellular IOT vs Non Cellular IOT
11. Cellular IOT Service Status
12. 5G Frequency Band Plan
13. 5G Frequency Band Situation by Band
14. Wireless Frequency Band Standard Organization
15. 5G commercial network Status
16. Detailed 5G Introduction Situation
17. 5G Products Status by Product Type
18. 5G Products Status by 5G Chipset
19. 5G Products Status by Market
20. 5G Products Status by Brand
21. Detailed data of 5G Products Status

III. Cellular Terminal Shipment Forecast –CY2023

1. Cellular Terminal Forecast by Product
2. Cellular Terminal Forecast by Standard
3. 5G Cellular Terminal Forecast by Band Group
4. Forecast of Sub 6GHz Band Combination
5. Sub 3GHz Uplink CA Forecast
6. 3G/4G/5G Band Plan Update
7. Diversity Forecast
8. Multi-band GNSS(GPS) for High-end Smartphone
9. Multi-band GNSS Forecast
10. Cellular Terminal Forecast by Product & Standard
11. Cellular Terminal Forecast by Standard & Frequency
12. Cellular Terminal Forecast in Detail

Phase 2. NEW RF Technologies & RF Market Potential in 5G**I. Future Market Opportunities by Standard in CY2023****II. How will Change Sub 6GHz RFFE from 4G to 5G?****III. 5G RFFE ESTIMATION by Platform****IV. Detailed 5G NR RFFE Estimation for Full Specification****V. 5G RFFE ESTIMATION – Main RF & 2nd RF****VI. 5G RFFE ESTIMATION – 3rd & 4th RF****VII. Sub 6GHz Co-Existence with WiFi****VIII. 5G RFFE Case Studie -Sub 6GHz-**

1. Sub 6GHz RFFE of SAMSUNG GALAXY S10 5G SM-G977N
2. Sub 6GHz RFFE of Huawei MATE20X5 EVR-AN00

3. Sub 6GHz RFFE of Xiaomi Mi Mix 3 5G M1810E5GG

IX. RF Market Potential in 4.5G-5G**X. What's Dual Uplink?****XI. Antenna Module for Millimeter Wave****XII. Substrate for Antenna Module****XIII. Example of NB-IOT Module****XIV. RF Front end for NB-IOT****Phase3. 3G/4G/5G RF Platform Analysis****I. RF Platform Trend & Forecast**

1. 5G RF Platform share Trend & Forecast
2. 4G RF Platform share Trend & Forecast
3. 3G/4G/5G Total RF Platform Forecast

II. 4G RF Platform Examples

1. Hot Products Teardown-1
 - a. iPhone XS/XR
 - ①Phone Xs Janpan Model A2098
 - High-end iPhone with OLED Display -
 - ②iPhone XR Janpan Model A2106
 - Low-end iPhone with LCD Display -
 - b. NB-IOT Module
 - ①Quectel BC95-B5
 - Single band NB-IOT Module with HiSilicon Chipset-
 - ②CMCC M5310
 - Single band NB-IOT Module with HiSilicon Chipset-
 - ③ZTE We Link ME3612 C1C
 - Multi-band NB-IOT Module with Qualcomm Chipset-
 - ④SIMCOM SIM7000E
 - Multi-band/Multi-mode IOT Module with Qualcomm Chipset-
2. Hot Products Teardown-2
 - a. Teardown Summary
 - b. Huawei MATE20
 - c. Google Pixel3
 - d. BMW X5 F15 TELEMATIC CONTROL MODULE
 - e. GMC SIERRA 2017 COMM ONSTAR MODULE 759468
3. Hot Products Teardown-3
 - a. Teardown Summary
 - b. SAMSUNG GALAXY S10 5G SM-G977N
 - World First's Korean 5G Smart phone-
 - c. Motorola 5G Moto Mods
 - d. Huawei P30 ELE-L29
 - Latest Huawei High-end Smart phone -
 - e. OPPO AX7 CPH1903(GN)
 - OPPO Low-end Smart phone-

Phase4. RF Devices / Modules Market Status & Forecast**I. RF Devices / Modules Total Market Forecast**

1. RF Devices / Modules in This Report
2. RF Devices / Modules Total Market Forecast Detail Data
3. RF Devices / Modules Total Market Forecast - For FEMs / For COB -
4. RF Devices / Modules Total Market Forecast - Except overlap -
5. RF Devices / Modules Total Market Forecast Detail Data - Except overlap -
6. RF Devices / Modules For Cellular Market Share Breakdown -CY2016-CY2019

II. Front End Module & Sub Front End Module Market Forecast

1. Front End Module/ Sub Front End Module Variation & Circuit Examples
 - a. Outline of PAMID

- b. Multiplexer:Quadplexer Example & Outline

- c. Antenna Multiplexer Outline
 - d. Front End Module & Sub Front End Module Variation & Outline
 - e. Front End Module & Sub Front End Module Usage
 - f. 4G Trend & Future Estimation
 - g. Usage of Front End Module for 4G by Customer
2. FEM Market Forecast
 - a. FEM Supply-chain
 - b. Front End Module Market Trend & Forecast by Product Type
 - c. Front End Module Market Trend & Forecast by Product Type : Detail Data
 - d. Sub Front End Module Market Trend & Forecast by Product Type
 - e. Sub Front End Module Market Forecast : Detailed Data

3. Antenna Switch Module

- a. Antenna Switch Module Market Size Trend & Forecast by Product Type
- b. Antenna Switch Module Market Forecast : Detailed Data
- c. ASM Market Share Trend

4. TX Module

- a. TX Module Market Size Trend & Forecast by Product Type
- b. TX Module Market Share Trend

5. FEMID

- a. FEMID Module Market Size Trend & Forecast by Product Type
- b. FEMID Market Forecast : Detailed Data
- c. FEMID Market Share Trend
- d. FEMID Market Share Breakdown per Product Type

6. PAMID

- a. PAMID Market Size Trend & Forecast by Product Type
- b. PAMID Market Forecast DATA
- c. PAMID Market Share Trend 1/2
- d. PAMID Supply chain
- e. PAMID Suppliers Outline
- f. PAMID Market Share Breakdown per Product Type

7. All-in-One FEM

- a. All-in-One FEM Market Size Trend & Forecast
- b. All-in-One Market Share Trend

8. 5G TXM(PAMIF)

- a. Outline of 5G TX Module
 - b. 5G TXM(PAMIF) Market Forecast
 - c. 5G TXM(PAMIF) Market Share Trend
 - d. 5G TXM(PAMIF) Market Forecast DATA
9. AIP (Antenna In Package) for Millimeter Wave
 - a. Motorola 5G Moto Mods mmWave Antenna Location
 - b. Motorola 5G Moto Mods mmWave AIP
 - c. Motorola 5G Moto Mods mmWave Antenna Modules
 - d. AIP(Antenna In Package) Market Forecast

10. FEM for NB-IOT/5G-IOT

- a. FEM for NB-IOT/5G-IOT Market Forecast
- b. FEM for NB-IOT/5G-IOT Market Share Trend

11. Diversity FEM

- a. Diversity FEM Market Size Trend & Forecast by Product Type
- b. Diversity FEM Market Forecast : Detailed Data
- c. Diversity FEM Market Share Trend
- d. Diversity FEM Supply chain

12. Multiplexer

- a. Multiplexer Supply Supply Chain
- b. Multiplexer Market Size Trend & Forecast by Band Combination
- c. Multiplexer Market Size Trend & Forecast by Product Type

- a. Multiplexer Market Size Trend & Forecast For COB or For FEMs

- b. Multiplexer Market Size Trend & Forecast by Duplexer Type
- c. Multiplexer Market share Trend
- d. Market Share Breakdown per Product Type

13. Antenna Multiplexer

- a. Antenna Multiplexer Outline
- b. Antenna Multiplexer Market Size Trend & Forecast by Product Type
- c. Antenna-Multiplexer Market Forecast : Detailed Data
- d. Antenna-Multiplexer Market Share Trend
- e. Antenna-Multiplexer Market Share Breakdown per Product Type

III. Antenna Switch**1. Total Market Size Trend & Forecast**

2. Antenna Switch for Main RF Market Size Trend & Forecast by Throw Count
3. Antenna Switch for Diversity Market Size Trend & Forecast by Throw Count
4. Antenna Switch Market Forecast Detailed Data by Throw count
5. Antenna Switch for Main RF Market Share Trend
6. Antenna Switch for RX Diversity Market Share Trend
7. Annual Antenna Switch for Main RF Market Share Breakdown per Product Type
8. Annual Antenna Switch for Diversity Market Share Breakdown per Product Type

IV. Power Amplifier Module**1. Market Size Trend & Forecast by Product Type**

2. MM PAM Type & Outline
3. Multi-band/Multi-mode PAM Market Size Trend & Forecast by Product Type
4. Power Amplifier Module Market Forecast Detailed Data -Quantity-
5. Power Amplifier Module Market Forecast Detailed Data -Quantity-
6. PAM TOTAL Market Share Trend
7. Single PAM Market Share Trend
8. Multi-band/Multi-mode PAM Market Share Trend
9. Power Amplifier Module Market Share Breakdown per Product Type

V. Duplexer**1. Duplexer Market Size Trend & Forecast by Product Type**

2. Duplexer Market Size Trend & Forecast for FEMs
3. Duplexer for FEMs
4. Duplexer usage by Band Duplexer
5. Market Size Trend & Forecast by Band
6. Duplexer Market Forecast Data table
7. Duplexer Market Share Trend
8. Duplexer Supply chain
9. Duplexer Market Share Breakdown per Product Type CY2016-CY2017

VI. Band Pass Filter**1. Application & Classification**

2. Band Pass Filter Market Size Trend & Forecast by Application
3. Band Pass Filter Market Size Trend & Forecast by Product Type
4. Band Pass Filter Market Size Trend & Forecast for FEMs
5. Band Pass Filter Market Size Forecast by Application/Technology
6. Band Pass Filter Market Size Forecast by Technology/Application
7. BPF Market Share Trend
8. Filter(Duplexe & BPF) Suppliers Outline
9. Low Performance Filter(IPD/LTCO) manufacturers

VII. TCXO**1. Market Size Trend & Forecast by Application TCXO**

2. Market Size Trend & Forecast : Detailed Data TCXO

ORDER FORM

ATTN: NAVIAN INC.
Fax : +81-3-5303-1304

RF Devices/Modules For Cellular 2018-2019 English version

Division license	Price	Initial
For Year's subscribers of Navian quarterly report	JPY220,000	
For Customers who have purchased Navian quarterly report within 1year	JPY270,000	
For Customers who have not purchased Navian quarterly report within 1year	JPY320,000	

If you will share our reports between different departments or subsidiaries and affiliated companies, you need to purchase the corporate license.
Please contact us.

YOUR P.O. NUMBER	<i>For our invoice referencing purpose.</i>
------------------	---

Date of order	(YYYY)	/ (MM)	/ (DD)
First name		Last name	
Company			
Job title		Department	
Address			
State/Province		Zip code	Country
Contact Phone		FAX	
E-mail	@		

Authorizing Signature

Signature Date

CONTACT

ATTN: Yoshiyasu Andoh

E-mail: andoh@navian.co.jp

Navian Inc.

2-18-2, Zenpukuji, Suginami-ku, Tokyo 167-0041, Japan

Phone: +81-3-5303-1303

Fax: +81-3-5303-1304