

Navian Marketing Report

RF Devices/Modules For Cellular Terminal

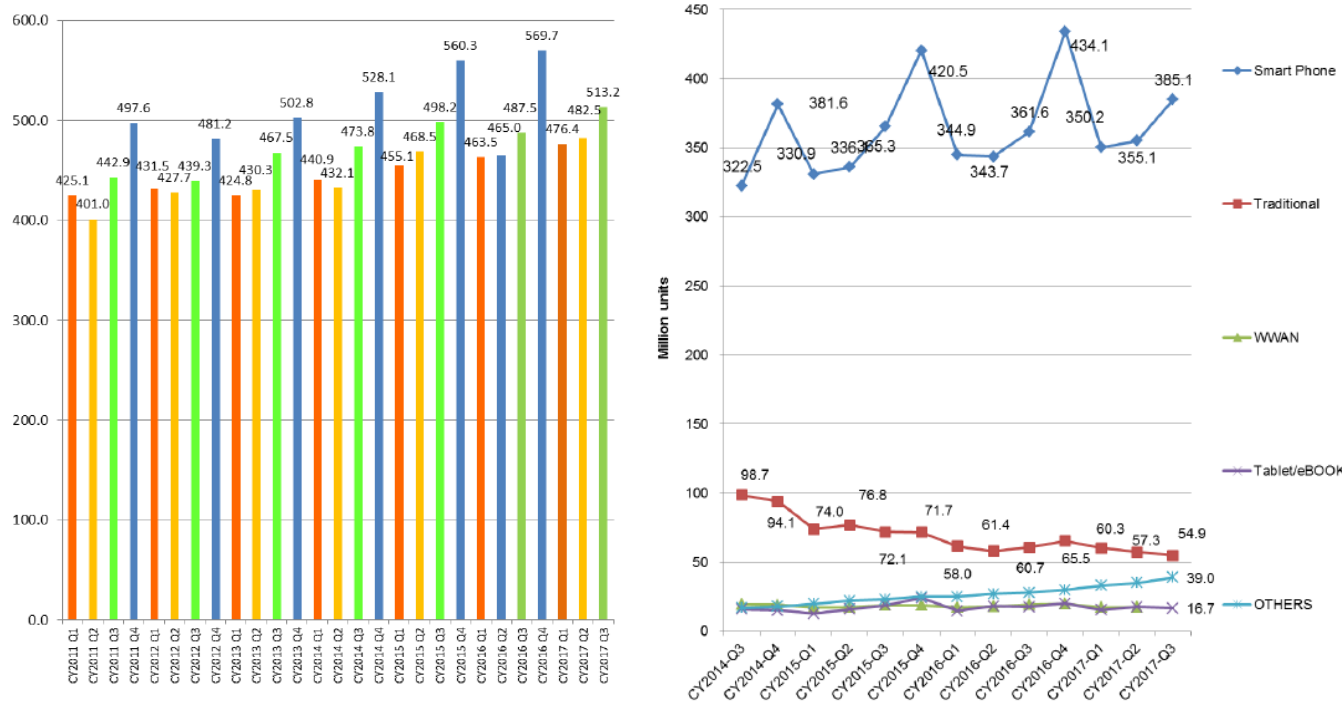
Quarterly Market Report Q3 2017

2018年1月19日発刊

本レポートで対象とする Cellular Terminal 用高周波部品・モジュール

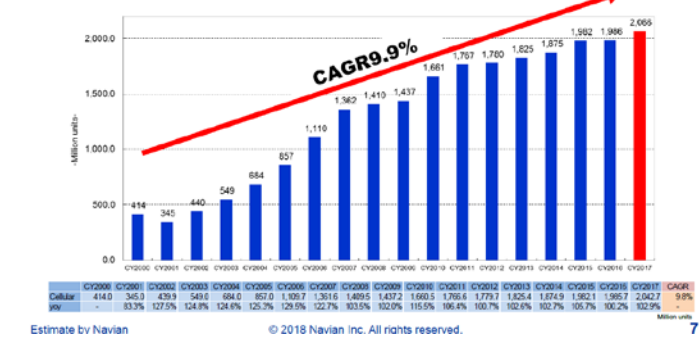
- ① Front end Module (ASM・RX Module・TX Module・PAiD・FEMiD・All-in-One FEM・PAMiD・FILTER BANK・Duplexer Bank・Multiplexer・A-Multiplexer)
- ② Antenna Switch (Main RF/Diversity) Power Amplifier Module
- ④ Duplexer
- ⑤ Band Pass Filter
- ⑥ TCXO

Cellular Terminal の製品タイプ別及び規格別出荷構成比 四半期推移



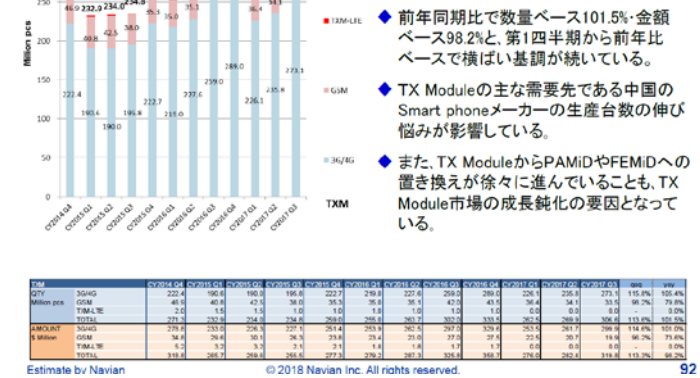
Cellular Terminal Annual Shipment History CY2000-CY2017

- 2017年のCellular Terminalの出荷規模は、前年比104.1%の2,066.3million unitsの見込み。
- AppleやSAMSUNGのHigh-end Smartphoneの増加が期待され、ほぼ横ばいの成長となった2016年から、若干の成長率アップとなる。
- 車載用や医療用などで、徐々に需要拡大が鮮明になってきているIoT機器の出荷増も期待できそう。
- ただ、IoT機器の出荷規模は、2017年で150million units程度と絶対的な規模はまだ小さく、Cellular Terminal市場を大きく押し上げるまでには至らない。

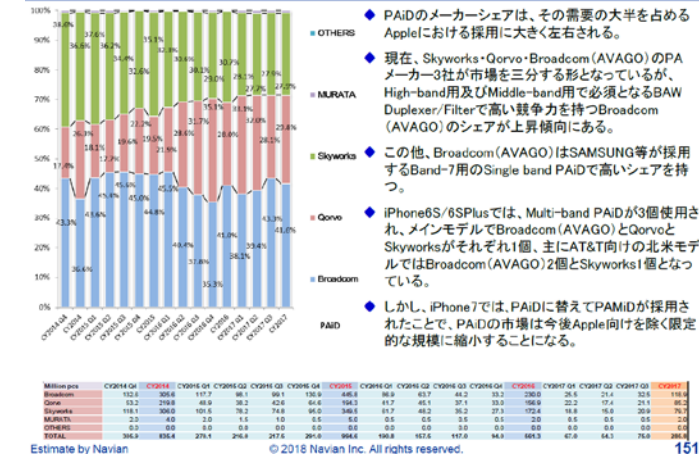


3Q 2017 : TX Module Market Size

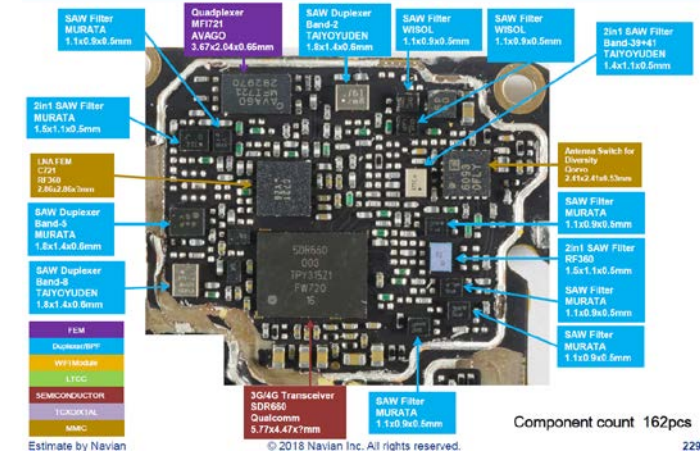
- 2017年第3四半期におけるTX Moduleの市場規模は、数量ベースで306.6million pcs、金額ベースで319.8million Dollarsとなった。
- 前年同期比で数量ベース101.5%・金額ベース98.2%と、第1四半期から前年比ペースで横ばい基調が続いている。
- TX Moduleの主な需要先である中国のSmart phoneメーカーの生産台数の伸び悩みが影響している。
- また、TX ModuleからPAMiDやFEMiDへの置き換えが徐々に進んでいることも、TX Module市場の成長鈍化の要因となっている。



PAiD Market Share for 3Q CY2017 Result & CY2017 Forecast



OPPO R11 RF Section-1



e-Book Reader Tablet PC

WWAN Terminal Adapter

Embedded Module

Smart Phone

Traditional Handset Mobile Phone

Fixed Wireless Terminal

Non-Voice

Voice

●お申し込みは同封の FAX 申し込み用紙又は電子メール・お電話にて承ります。
●内容等のお問い合わせは下記担当まで、お気軽にお申し付けください。
■資料発刊要領

RF Devices/Modules For Cellular Terminal Quarterly Market Report Q2 2017 (4-6 月期)

-CD-ROM (PDF file)-

- 発刊日 2018年1月19日
- 資料体裁 A4版 フルカラー 235 スライド CD-ROM(PDF file) ※印刷物は付属いたしません
- 価格 150,000 円(税別) ※168,000JPN for international customers

※年四回分のお申し込みの場合は 498,000 円(税別)

※上記費用はローカルライセンスを対象としています。
※連結企業の総従業員数が10,000人以上の企業様では、国内の事業部門内又は部署内(子会社の場合は企業単位)のご利用に限定させていただきます。

■お問い合わせ・お申し込み先
有限会社 ナビアン
担当: 安藤 嘉泰 andoh@navian.co.jp
〒167-0041 東京都杉並区善福寺 2-18-2
TEL 03-5303-1303 FAX 03-5303-1304
※お支払いは、調査レポートのお届け後、弊社指定口座に現金でお振り込みください(請求書は書籍に同封)

PHASE 1. CELLULAR TERMINAL SHIPMENT AND UPDATE

1. Cellular Terminal Quarterly Shipment History
2. Cellular Terminal Quarterly Shipment by Product Type
3. Cellular Terminal Quarterly Shipment by Standard
4. Cellular Terminal Annual Shipment
5. Annual Shipment History CY2000-CY2017
6. Annual Cellular Terminal Shipment Trend by Product Type
7. Annual Cellular Terminal Shipment Trend by Cellular Standard

PHASE 2. SHIPMENT AND STATUS OF CELLULAR TERMINAL KEY MANUFACTURER

1. Cellular Terminal Shipment by Maker & Product Type
1Q 2014-3Q2017
2. Cellular Terminal Shipment by Maker & Cellular Standard
1Q 2014-3Q2017
3. Annual Cellular Terminal Market Share Trend
 - (1) Cellular Terminal Shipment by Manufacturer & Product Type
CY2014-CY2017
 - (2) Cellular Terminal Shipment by Manufacturer & Cellular Standard
CY2014-CY2017
4. RF Platform Market Share by Cellular Terminal Manufacturer
 - (1) UMTS RF Platform Market Share by Cellular Terminal Manufacturer
Quarterly data: 1Q 2014-3Q2017
Annual data: CY2013-CY2017
 - (2) UMTS RF Platform Market Share by Cellular Terminal Manufacturer
Quarterly data: 1Q 2014-3Q2017
Annual data: CY2013-CY2017

PHASE 3. RF Devices / Modules For Cellular Market Trend

1. Front End Modules
 - (1) Quarterly Front End Module Market Trend
 - (2) Annual Front End Module Market Trend by Product
 - (3) Detailed Data of Front End Module Marke
 - (4) 3Q2017 : Front End Module Market Size & Trend by Product
 - ①Antenna Switch Module
 - ②RX Module
 - ③TX Module
 - ④FEMiD
 - ⑤All-in-One FEM

- ⑥PAMiD
- ⑦PAiD
- ⑧Filter Bank
- ⑨Duplexer Bank
- ⑩Multiplexer (Quadplexer/Hexaplexer)
- ⑪Antenna –Multiplexer
2. Antenna Switches
 - (1) Antenna Switch Market Size in 3Q2017
 - Antenna Switch TOTAL Market Size
 - Antenna Switch for Main RF Market Size by Throw Count
 - Antenna Switch for Main RF Market Size by Substrate
 - Antenna Switch for Diversity Market Size by Substrate
 - (2) Quarterly Detailed Data of Antenna Switches
 - (3) Annual Market Size of Antenna Switch in CY2017
 - Market Forecast of Antenna Switch
 - Market Forecast of Antenna Switch for Main RF by Throw Count
 - Market Forecast of Antenna Switch for Main RF by Substrate
 - Market Forecast of Antenna Switch for Diversity by Substrate
 - (4) Annual Detailed Data of Antenna Switch Market
3. Power Amplifier Module
 - (1) Power Amplifier Module Market Size in 3Q2017
 - (2) Annual Market Size of Power Amplifier Module by Product Type in CY2017
 - (3) Annual Detailed Data of Power Amplifier Module Market
4. Duplexers
 - (1) Duplexer Market Size in 3Q2017
 - (2) Annual Market Size of Duplexer by Band in CY2017
 - (3) Annual Detailed Data of Duplexer Market
5. Band Pass Filters
 - (1) Band Pass Filter Market Size in 3Q2017
 - (2) Annual Market Size of Band Pass Filter in CY2017
6. TCXOs
 - (1) TCXO Market Size in 3Q2017
 - (2) Annual Market Size of TCXO in CY2017

PHASE 4. RF COMPONENT/MODULE KEY MANUFACTURER TRENDS

1. Front End Modules
 - (1) Antenna Switch Module
 - ASM Market Share for Q3 CY2017 Result & CY2017 Forecast
 - ASM Market Share Breakdown per Product Type
 - (2) RX Module

- RX Module Market Share for Q3 CY2017 Result & CY2017 Forecast
 - RX Module Market Share Breakdown per Product Type
- (3) TX Module
 - TX Module Market Share for Q3 CY2017 Result & CY2017 Forecast
 - TX Module Market Share Breakdown per Product Type
- (4) FEMiD
 - FEMiD Market Share for Q3 CY2017 Result & CY2017 Forecast
 - FEMiD Market Share Breakdown per Product Type
- (5) PAiD
 - PAiD Market Share for Q3 CY2017 Result & CY2017 Forecast
 - PAiD Market Share Breakdown per Product Type
- (6) Filter Bank
 - Filter Bank Market Share for Q3 CY2017 Result & CY2017 Forecast
 - Filter Bank Market Share Breakdown per Product Type
- (6) Duplexer Bank
 - Duplexer Bank Market Share for Q3 CY2017 Result & CY2017 Forecast
 - Duplexer Bank Market Share Breakdown per Product Type
- (7) Multiplexer
 - Multiplexer Market Share for Q3 CY2017 Result & CY2017 Forecast
 - Multiplexer Market Share Breakdown per Product Type
2. Antenna Switches
 - (1) Antenna Switch Market Share for Q3 CY2017 Result & CY2017 Forecast
 - Antenna Switch for Main RF
 - Antenna Switch for Main RF =>SP7T
 - (2) Quarterly Antenna Switch for Main RF Market Share Breakdown per Product Type
 - (3) Annual Antenna Switch for Main RF Market Share Breakdown per Product Type
 - (4) Quarterly Antenna Switch for Diversity Market Share Breakdown per Product Type
 - (5) Annual Antenna Switch for Diversity Market Share Breakdown per Product Type
 - (6) Antenna Switch Supply chain
3. Power Amplifier Module
 - (1) PAM Market Share for Q3 CY2017 Result & CY2017 Forecast
 - (2) 3G/4G PAM Market Share for Q3 CY2017 Result & CY2017 Forecast
 - (3) UMTS PAM Supply chain
 - (4) M/M PAM Type & Supply Chain

- (5) M/M PAM Market Share for Q3 CY2017 Result & CY2017 Forecast
- (6) M/M PA Shipment Breakdown per Manufacturer
- (7) Quarterly PAM Market Share Breakdown per Product Type
- (8) Annual Power Amplifier Module Market Share Breakdown per Product Type
4. Duplexers
 - (1) Duplexer Market Share for Q3 CY2017 Result & CY2017 Forecast
 - (2) Duplexer Supply chain
 - (3) Quarterly Duplexer Market Share Breakdown per Product Type
 - (4) Annual Duplexer Market Share Breakdown per Product Type
5. Band Pass Filters
 - (1) BPF Market Share for Q3 CY2017 Result & CY2017 Forecast
 - (2) BPF Market Share history by Product Type: SAW & BAW
6. TCXOs
 - (1) TCXO Market Share for Q3 CY2017 Result & CY2017 Forecast
 - (2) TCXO Market Share Breakdown per Product Type
 - (3) TCXO Supply chain

PHASE 5. Hot Products Teardown

1. Teardown Summary
 - Product outline: Product type/Release date/price/Network
 - RF Components / Modules usage
2. iPhone8 Plus A1897 Global model
 - (1) RF Components and Modules in iPhone 8/8+
 - (2) RF Circuit Block-diagram Estimation
 - (3) Motherboard pictures & Major components/modules
 - (4) RF Section pictures & RF Components / Modules
3. ONEPLUS 5 A5000
 - (1) RF Circuit Block-diagram Estimation
 - (2) Motherboard pictures & Major components/modules
 - (3) RF Section pictures & RF Components / Modules
4. GALAXY J5 Pro SM-J530FZKDXSG
 - (1) RF Circuit Block-diagram Estimation
 - (2) Motherboard pictures & Major components/modules
 - (3) RF Section pictures & RF Components / Modules
5. OPPO R11
 - (1) RF Circuit Block-diagram Estimation
 - (2) Motherboard pictures & Major components/modules
 - (3) RF Section pictures & RF Components / Modules

F A X 申 込 用 紙

有限会社ナビアン 行き

Fax : 03-5303-1304

(Tel:03-5303-1303)

- 「RF Devices/Modules For Cellular Terminal Quarterly Market Report」
を下記の通り申し込みます。

Report Title	価格	数量
■RF Devices/Modules For Cellular Terminal Quarterly Market Report Q3 2017 -CD-ROM-	150,000 円(消費税別)	
■年間購読 (四半期レポート4回分)	_____年 第 _____ 四半期レポート から ※記入例 2017 第3 半期レポートから	498,000 円(消費税別)

※上記費用はローカルライセンスを対象としています。

※連結企業の総従業員数が10,000人以上の企業様では、国内の事業部門内又は部署内(子会社の場合は企業単位)のご利用に限定させていただきます。

※日本国外のお客様は、168,000 円となります。

<mailto:info@navian.co.jp> 又は お電話 03-5303-1303

日 付	年		月	日
社 名				
所 属				
役 職		氏 名		印
E - m a i l	@			
住 所	〒 _____			
電 話		F A X		

※電子メールアドレスは、Gmail や YAHOO メールなどのフリーメール以外のメールアドレスをご記入下さい。

- 本レポートに対するご意見・ご要望などございましたら、下記にご記入ください。
