

# Navian Marketing Report

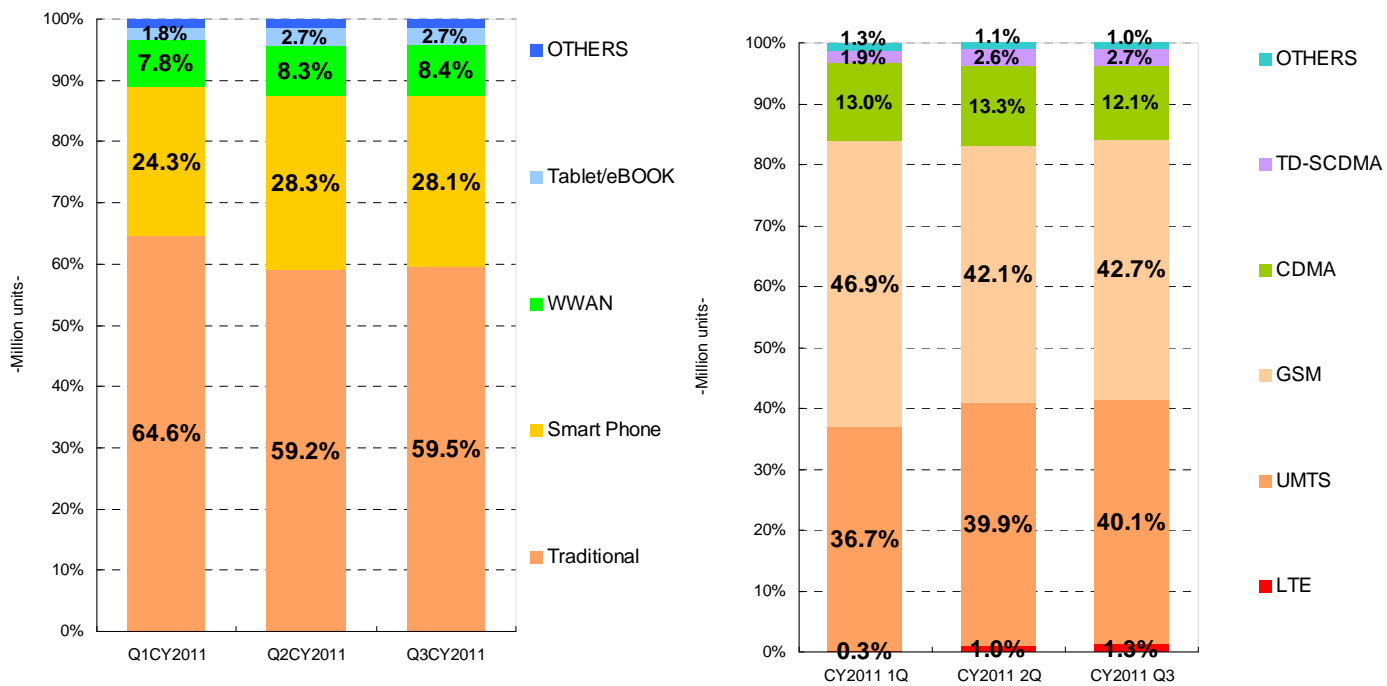
## RF Devices/Modules For Cellular Terminal Quarterly Market Report Q3 2011

Released on December 8th 2011

### RF Devices/Modules for Cellular Terminal in the report

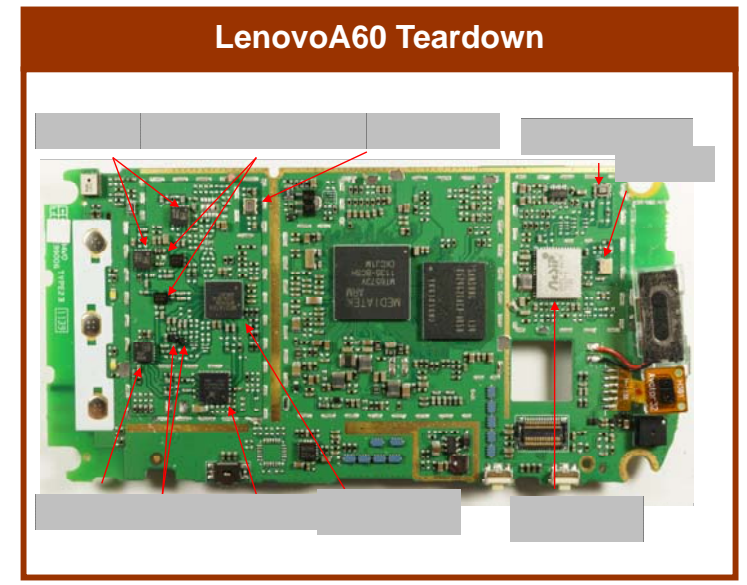
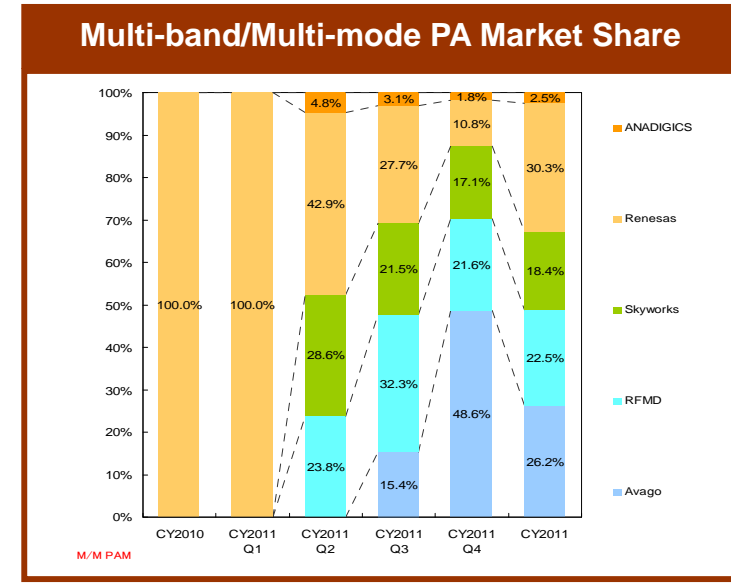
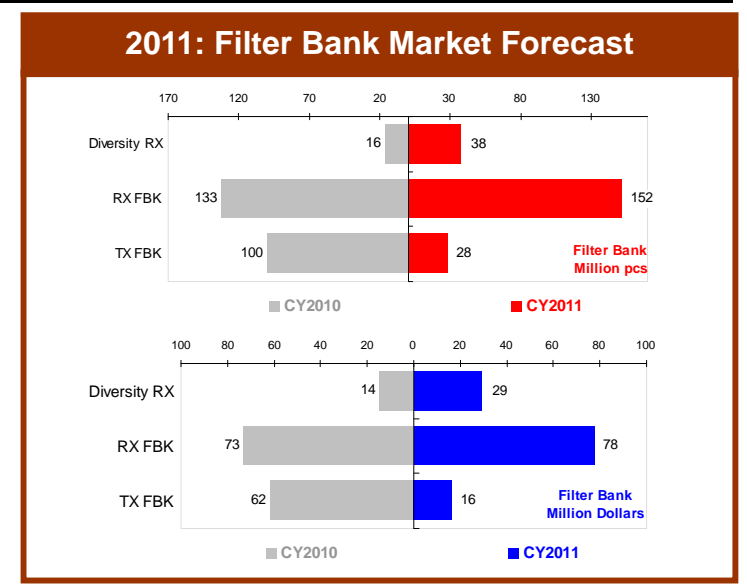
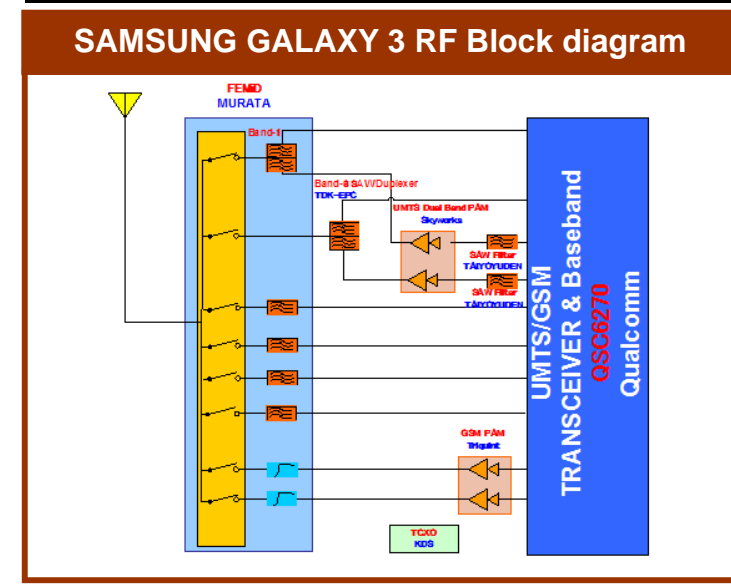
- ① Front end Module (ASM\_RX Module\_TX Module\_PAiD\_FEMiD FILTER BANK Duplexer Bank)
- ② Antenna Switch (except Diversity Switch)
- ③ Power Amplifier Module
- ④ Duplexer
- ⑤ Band Pass Filter
- ⑥ TCXO

Cellular Terminals shipment per Production Type and Standard



Non-Voice Voice

# Report Sample



**Outline of the report**  
**RF Devices/Modules For Cellular Terminal Quarterly Market Report Q3 2011**  
**-CD-ROM (PDF file)-**

- The date of issue: December 8, 2011
- The Documents of the report: The PDF file of 118 SLIDES : MS PowerPoint based/Excel data/JPEG files of Teardown photos
- Report price: JP¥168,000

\* Additional notes for companies with more than 10,000 employees on a consolidated basis.  
 If you will share our reports between different departments or subsidiaries and affiliated companies, you need to purchase the corporate license. Please confer with us.

**Method of order**  
 ○ BY Attached FAX ORDER FORM Fax.+81-3-5303-1304  
 ○ BY Email order@navian.co.jp with your information as same as FAX ORDER FORM

**PAYMENT**  
 Please Bank Transfer in Japanese Yen to the bank account of the Navian, Inc.  
 The report's bill will be sent with the report.  
 Payment term is within 1 month after you receive the report.

**PUBLISHER**  
 Navian Inc. <http://www.navian.co.jp>  
 mailto:info@navian.co.jp  
 2-18-2,Zenpukuji, Suginami-ku, Tokyo 167-0041 JAPAN  
 Tel.+81-3-5303-1303/Fax. +81-3-5303-1304

**1.CELLULAR TERMINAL SHIPMENT AND UPDATE**

**① Production and status per cellular terminal standard and product type: Quarter**

Cellular Terminal Variation & Definition  
Cellular Terminal Quarterly Shipment History  
2011 Quarters: Shipment per Production Type  
2011 Quarters: Shipment per Standard

**② Production forecast per cellular terminal standard and product type: Year**

2011:Cellular Terminal Shipment Forecast  
2011: Shipment Forecast per Product Type  
2011: Shipment Forecast per Standard

**2.SHIPMENT AND STATUS OF CELLULAR TERMINAL KEY MANUFACTURER**

**① Shipment and status per key manufacturer per standard and product type: Quarter**

2011/3Q Key Terminal Manufacturer Share  
Key Terminal Manufacturer Share per Quarter  
2011 Quarters:  
Shipment per Terminal Manufacturers per Product Type 1/2  
2011 Quarters:  
Shipment per Terminal Manufacturers per Product Type 2/2  
2011/Q1: Shipment Volume per Key Manufacturer and Standard  
2011/Q2: Shipment Volume per Key Manufacturer and Standard  
2011/Q3: Shipment Volume per Key Manufacturer and Standard  
2011/Q4: Shipment Volume per Key Manufacturer and Standard

**② Shipment forecast per key manufacturer per standard and product type: Year**

CY2011:  
Cellular Terminal Manufacturer Share Forecast  
CY2010–CY2011:  
Shipment per Key Terminal Manufacturer per Product Type  
CY2010:  
Shipment per Key Terminal Manufacturer per Standard  
CY2011:  
Shipment Forecast per Key Terminal Manufacturer per

Standard  
2011/Q1: Shipment per UMTS Platform  
2011/Q2: Shipment per UMTS Platform  
2011/Q3: Shipment per UMTS Platform

**3.PRODUCTION AND MARKET DEMAND ON CELLULAR TERMINAL RF COMPONENT AND MOUDLE**

**① Front end Module**

2011/3Q: Front End Module Market Size  
2011: Front End Module Market Forecast  
2011: Front End Module Market Forecast Chart  
2011/Q3: ASM Market Status  
2011/Q3: RX Module Market Status  
2011/Q3: TX Module Market Status  
2011/Q3: FEMiD Market Status  
2011/Q3: PAiD Market Status  
2011/Q3: Filter Bank Market Status  
2011/Q3: Duplexer Bank Market Status  
2011: Antenna Switch Module Market Forecast  
2011: RX Module Market Forecast  
2011: TX Module Market Forecast  
2011: FEMiD Market Forecast  
2011: PAiD Market Forecast  
2011: Filter Bank Market Forecast  
2011: Duplexer Bank Market Forecast

**② Antenna Switch for Front end Module**

2011/Q3: Antenna Switch Market Status  
2011: Antenna Switch Market Forecast per Throw  
2011: Antenna Switch Market Forecast per Material  
2011: Antenna Switch Market Forecast Chart

**③ Power Amplifier Module**

2011/Q3: PAM Market Status  
2011: Power Amplifier Module Market Forecast  
2011: PAM Market Forecast Chart

**④ Duplexer (SAW, BAW, SAW/BAW)**

2011/Q3: Duplexer Market Status  
2011: Duplexer Market Forecast  
2011: Duplexer Market Forecast Chart

**⑤ Band Pass Filter**

2011/Q3: Band Pass Filter Market Status  
2011: Band Pass Filter Market Forecast

**⑥ TCXO**

2011/Q3: TCXO Market Status  
2011: TCXO Market Forecast

**4.RF COMPONENT/MODULE KEY MANUFACTURER PRODUCTION REPORT**

**① Front end Module**

ASM Market Share for Q3 & CY2011 Forecast  
ASM Market Share Breakdown per Product Type  
Antenna Switch Supply chain  
RX Module Market Share for Q3 & CY2011 Forecast  
RX Module Market Share Breakdown per Product Type  
TX Module Market Share for Q3 and CY2011 Forecast  
TX Module Market Share Breakdown per Product Type  
FEMiD Market Share for Q3 & CY2011 Forecast  
FEMiD Market Share Breakdown per Product Type  
PAiD 2011 Market Share for Q3 & CY2011 Forecast  
PAiD Market Share Breakdown per Product Type  
Filter Bank Market Share for Q3 & CY2011 Forecast  
Filter Bank Market Share Breakdown per Product Type  
Duplexer Bank Market Share for Q3 & CY2011 Forecast

**② Antenna Switch for Front end Module**

Antenna Switch Market Share for Q3 & CY 2011 Forecast  
SP7T ASM Market Share for Q3 & CY2011 Forecast  
Antenna Switch Market Share Breakdown per Product Type -1  
Antenna Switch Market Share Breakdown per Product Type -2

**③ Power Amplifier Module**

PAM 2011 Market Share for Q3 & CY2011 Forecast  
UMTS PAM Market Share for Q3 & CY2011 Forecast  
UMTS PAM Supply chain  
M/M PAM Market Share for Q3 & CY2011 Forecast  
PAM Market Share Breakdown per Product Type -1  
PAM Market Share Breakdown per Product Type -2  
MM PA with Function Shipment: GSM  
PAM Market Share Breakdown per Product Type -1  
PAM Market Share Breakdown per Product Type -2

**④ Duplexer (SAW, BAW, SAW/BAW)**

Duplexer Market Share for Q3 & CY2011 Forecast  
Duplexer Supply chain

Duplexer Market Share per Product Type -1/3  
Duplexer Market Share per Product Type -2/3  
Duplexer Market Share per Product Type -3/3

**⑤ Band Pass Filter**

BPF Market Share for Q3 & CY2011 Forecast

**⑥ TCXO**

TCXO Market Share for Q3 & CY2011 Forecast  
TCXO Market Share Breakdown per Product Type  
TCXO Supply chain

**5.Hot Products Teardown**

**① Outline of Teardown Terminals**

Teardown Summary 1/4 –FEM/RF IC/Base band IC–  
Teardown Summary 2/4 –Power Amplifier Module–  
Teardown Summary 3/4 –Duplexer–  
Teardown Summary 4/4 –BPF/XTAL/OTHERS–

**② CSL 4G USB Adapter –LTE/UMTS/GSM–**

CSL 4G LTE Modem  
CSL 4G LTE Modem Mother board  
CSL 4G LTE Modem RF-1  
CSL 4G LTE Modem RF-2  
CSL 4G LTE Modem RF Block Diagram

**③ Samsung GALAXY GIO –UMTS/GSM–**

SAMSUNG GALAXY GIO  
SAMSUNG GALAXY GIO RF  
SAMSUNG GALAXY GIO Block Diagram

**④ Samsung GALAXY 3 –UMTS/GSM–**

GALAXY 3  
GALAXY 3 RF  
GALAXY 3 RF Block Diagram

**⑤ Lenovo A60 –UMTS/GSM–**

Lenovo A60 SIDE-A  
Lenovo A60 Block diagram

**⑥ iPhone4S –UMTS/CDMA/GSM–**

iPhone 4S SIDE-A  
iPhone 4S SIDE-B  
iPhone 4S Main RF  
iPhone 4S RX Diversity  
iPhone 4S Block Diagram

**ORDER FORM**  
**ATTN: NAVIAN INC.**  
**Fax : +81-3-5303-1304**

---

**RF Devices/Modules For Cellular Terminal  
Quarterly Market Report**

Report Title	Price	Initial
<b>RF Devices/Modules For Cellular Terminal Quarterly Market Report Q3 2011 CD-ROM (PDF file)-</b>	JPY168,000	

\* Additional notes for companies with more than 10,000 employees on a consolidated basis.

If you will share our reports between different departments or subsidiaries and affiliated companies, you need to purchase the corporate license. Please confer with us.

YOUR P.O. NUMBER	<i>For our invoice referencing purpose.</i>
------------------	---

Date of order	(YYYY)	/ (MM)	/ (DD)
First name		Last name	
Company			
Job title		Department	
Address			
State/Province		Zip code	Country
Contact Phone		FAX	
E-mail	@		

---

Authorizing Signature

Signature Date

**CONTACT**

ATTN: Yoshiyasu Andoh  
E-mail: andoh@navian.co.jp

Navian Inc.  
2-18-2, Zempukuji, Suginami-ku, Tokyo 167-0041, Japan  
Phone: +81-3-5303-1303  
Fax: +81-3-5303-1304